

DocuCentre SC2020
A3 Colour
Multifunction Device



Xerox® DocuCentre® SC2020

Give your small business a big voice.



Compact design and support for mobile access

Simple, easy to understand touch screen

High resolution output (1200 x 2400 dpi)

Copy, Print

B / W: 20 ppm
Colour: 20 ppm

Scan

B / W: 24 ppm
Colour: 19 ppm

Fax

Max size: A3,
Super G3



The DocuCentre SC2020 is an affordable solution that gives you all the functionality of an A3 multifunction device with the added benefit of vibrant colour so you can stand out from the crowd.

Ease of Use

Easy to replace consumables

There's no need to rotate or move the printer to perform routine maintenance. Replacement of toners and drum unit is easy via the printer's front access panel.

Intuitive user interface

The 4.3-inch colour touch screen interface with its big, bright icons is easy to use, and intuitive menus make walk up operation fast and easy.

Quality Colour

Enhance your image with colour

The ability to print high quality colour enhances the way your company is represented. Bringing colour printing in house provides more control, improves cashflow and enables more flexibility when it comes to marketing your business.

High quality colour

Xerox has developed a high precision S-LED (Self Scanning Light Emitting Diode) print head technology that achieves an output resolution of 1200 x 2400 dpi.

High speed colour correction

IReCT (Image Registration Control Technology) is a digital image registration control technology providing the ultra high precision of 2400 dpi. This ensures highly accurate dot placement resulting in outstanding print quality.

Advanced toner

The DocuCentre SC2020 uses EA-Eco toner, which is manufactured using emulsion aggregation technology to form toner particles that are smaller and more uniform than conventional toners, producing a much higher image quality.



Productivity and Efficiency

Maximise staff productivity

Xerox has leveraged its renowned design and innovation, and put it into a powerful desktop device. A device on a desk can free up expensive office space, and enables decentralised workgroup printing so that staff can collect prints from a device placed at arms length, and continue working.

ID card copy

The ID card copy feature allows you to copy both sides of the card onto the same side of the paper. Simply place an ID card on the copier platen, press the ID card copy button and follow the directions on the 4.3 inch touch screen. A complex job made easy.

Copy 4 pages onto 1 sheet of paper

Users can copy 2 pages of a document onto one side of paper (2 up). When you combine this with the duplex feature, four pages can be copied onto both sides of a single sheet.

Clever fax forwarding (optional)

Faxes you receive can be uploaded to a server or sent to registered e-mail addresses, eliminating the need to print each fax.



Control your print environment

The Auditron feature allows you to control print output by setting usage permissions for all users. For instance, you could give registered users the ability to print in colour, and limit the number of pages that can be printed. Unregistered users can be restricted to printing only in monochrome and prevented from all copying.

Quick Facts

- Print-Copy-Scan-Email-Fax*
- Copy/Print Speed: up to 20ppm monochrome/colour (A4)
- Print Resolution: 1200 x 2400 dpi
- Duplex Automatic Document Feeder
- 4.3 inch colour touch screen
- Dimensions: W 595 x D 586 x H 634 mm
- Weight: 49 kg

*Fax optional

Sustainability

EA-Eco Toner

Our EA-Eco Toner with low melt technology achieves minimum fusing temperature at 20°C less than conventional toner for significant energy savings.

Toner save mode

The toner saving function has three settings allowing you to manage your toner usage by choosing the toner setting best suited to your needs. For example, for internal documents that may not need high image quality, simply select 'light' or 'lightest' to save toner.



Note: Toner reduction varies depending on data being printed. Results may also vary.

Low running costs

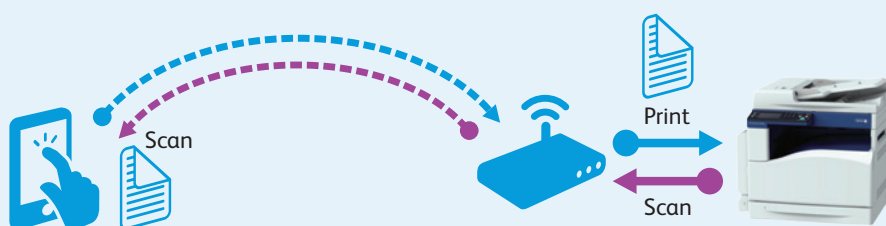
Proven S LED print engine technology combined with EA-Eco toner consumes minimal energy, meaning lower running costs for you and a greener planet for us all.

The SC2020 is the ideal printer for small workgroups seeking a compact, affordable A3 colour printer with multifunction capabilities.

- Convenience from Start to Finish
- Performance and Quality
- Intuitive Touch screen
- Cost conscious and Eco friendly



Compatible with Xerox Mobile® Print Solutions*



*Requires wireless LAN



DocuCentre SC2020 Specifications

Basic Specifications / Copy Function

Item	Description
Type	Desktop
Memory Capacity	512 MB (Max. 512 MB)
Hard Disk Capacity	—
Colour Capability	Full colour
Scan Resolution	600 x 600 dpi
Print Resolution	Output resolution: 1200 x 2400 dpi Data processing resolution: 600 x 600 dpi
Warm up Time	39 seconds or less (At room temperature 20 °C)
Original Size	Maximum of 297 x 432 mm (A3, 11 x 17") for both Sheet and Book
Paper Size	Max. A3, 11 x 17"
	Min. A5 (Bypass Tray: Non standard size: 89 x 98 mm)
Image Loss Width	Lead edge 5.5 mm or less, trail edge 5.5 mm or less, right / left edge 5.5 mm or less
Paper Weight*1	Tray 1: 60 to 90 gsm, Tray 2 (Optional): 60 to 256 gsm
	Bypass Tray 60 to 216 gsm
First Copy Output Time	B / W: 8.6 seconds (A4 LEF / Monochrome priority mode) Colour: 10.8 seconds (A4 LEF / Colour priority mode)
Continuous Copy Speed*2	A4 LEF B / W: 20 ppm, Colour: 20 ppm
	A3, A4SEF, B4, B5 B / W: 12 ppm, Colour: 12 ppm
Paper Tray Capacity	Standard Tray 1: 250 sheets*3 Bypass Tray: 100 sheets*4
	Optional Tray 2: 500 sheets*3
	Max. 850 sheets (Main Unit + Optional One Tray Module)
Output Tray Capacity	250 sheets (A4)*3
Power Source	AC 220 - 240 V ±10 %, 5 A, 50 / 60 Hz common
Power Consumption	220 V: 1.1 kW or less, 240 V: 1.2 kW or less Sleep Mode: 1.4 W or less, Low Power Mode: 46 W or less, Ready Mode: 78 W or less
Dimensions	W 595 x D 586 x H 549 mm (with platen cover) W 595 x D 586 x H 634 mm (with document feeder)
Weight*5	43 kg (with platen cover)
	49 kg (with document feeder + Duplex Output Unit)

*1: It is recommended to use Xerox recommended paper. Correct print output may not be possible depending on the requirement. *2: The speed may be reduced due to the image quality adjustment. *3: When using 80 gsm paper. *4: When using 64 gsm paper. *5: Excluding Toner Cartridge.

Print Function

Item	Description
Type	Built in type
Continuous Print Speed	Same as the Basic Specifications / Copy Function
Print Resolution*1	Output Resolution 1200 x 2400 dpi
	Data Process Resolution 600 x 600 dpi
Page Description Language	PCL6 / PCL5e, HBPL
Operating System*2	PCL6 Driver (Standard) Windows® XP (32bit), Windows Server® 2003 (32bit) Windows Vista® (32bit), Windows Server® 2008 (32bit) Windows® 7 (32bit), Windows® 8 (32bit) Windows® 8.1 (32bit), Windows® XP Professional (64bit) Windows Server® 2003 (64bit), Windows Vista® (64bit) Windows Server® 2008 (64bit), Windows® 7 (64bit) Windows Server® 2008 R2 (64bit), Windows® 8 (64bit) Windows Server® 2012 (64bit), Windows® 8.1 (64bit) Windows Server® 2012 R2 (64bit)
	Mac OS X-Driver (Standard) Mac OS X 10.5 / 10.6 / 10.7, OS X 10.8 / 10.9
Interface	Ethernet 100BASE-TX / 10BASE-T, USB 2.0

*1: The speed may be reduced due to the image quality adjustment. The speed may also be reduced depending on the document attributes. *2: Please refer to the Xerox website for the latest supported operating systems.

Supplies

Item	Description
Toner K	006R01693
Toner C	006R01694
Toner M	006R01695
Toner Y	006R01696
Waste Toner Cartridge	008R13215
Drum	013R00677

All product names and company names mentioned in this brochure are trademarks or registered trademarks of their respective companies.

For more information or detailed product specification, please call or visit us at:

Xerox Limited

Bridge House, Oxford Road
Uxbridge, Middlesex UB8 1HS

Scan Function

Item	Description
Type	Colour Scanner
Scan Resolution	TWAIN Monochrome and greyscale: 600 x 600 dpi, 400 x 400 dpi, 300 x 300 dpi, 200 x 200 dpi, 150 x 150 dpi Colour: 400 x 400 dpi, 300 x 300 dpi, 200 x 200 dpi, 150 x 150 dpi
	WIA Colour, monochrome and greyscale: 400 x 400 dpi, 300 x 300 dpi, 200 x 200 dpi, 150 x 150 dpi
Scanning Speed*	B / W: 24 ppm, Colour: 19 ppm [Xerox standard paper (A4 LEF), 200 dpi]
Interface	Ethernet 100BASE-TX / 10BASE-T, USB 2.0

Note: WIA stands for Windows Imaging Acquisition. *: The scanning speed varies depending on the documents.

Fax Function (Optional)

Item	Description
Send Document Size	Max.: A3, 11 x 17"
Recording Paper Size	Max.: A3, 11 x 17" Min.: A5
Transmission Time	2 seconds and more but fewer than 3 seconds*
Transmission Mode	ITU-T G3
Applicable Lines	Telephone subscriber line, PBX, Fax communication (PSTN), Max. 1 port

*: When A4 size document with approximately 700 characters is transmitted in standard image quality (8 x 3.85 lines / mm) and in high speed mode (28.8kbps or faster, JBIG). Only indicates the time for transmitting the image information and does not include the communication control time. The total communication time will vary depending on the contents of the document, the type of machine receiving the fax, and line condition.

Duplex Automatic Document Feeder

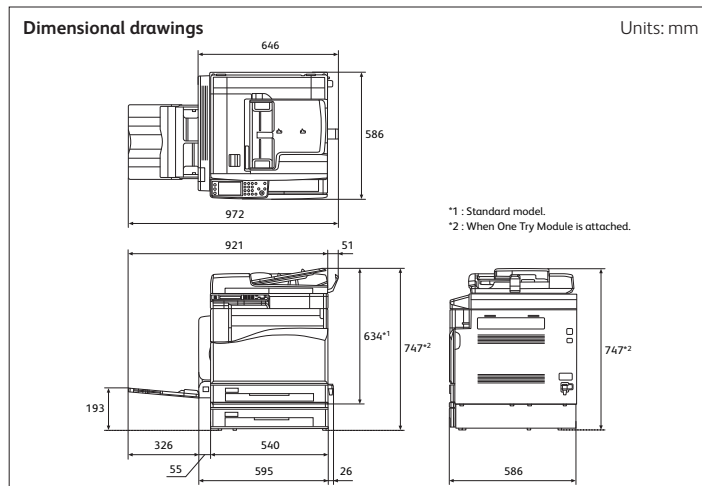
Item	Description
Original Size / Paper Weight	Max.: A3, 11 x 17" Min.: A5 (Non standard size: 125 x 125 mm) 38 to 128 gsm (2 Sided: 50 to 128 gsm)
Capacity*	110 Sheets
Feeding Speed (A4 LEF Simplex)	B / W: 20 ppm, Colour: 18 ppm
Dimensions	W 540 x D 492 x H 119 mm
Weight	7 kg

*: 80 gsm paper.

500 Sheet Tray (Optional)

Item	Description
Paper Size	Max.: A3, 11 x 17" Min.: A5 (Bypass tray: Non standard size 89 x 98 mm)
Paper Weight	60 to 256 gsm
Paper Feed Capacity*	500 sheets
Dimensions	W 541 x D 586 x H 113 mm
Weight	11 kg

*: 80 gsm paper.



For Your Safety

Before using the product, read the Instruction Manual carefully for proper use. Use the product with the power source and voltage specified. Be sure to establish ground connection. Otherwise, electronic shock may result in the case of a failure or short circuit.

